



Light and narrow
skid steer loader.

ELISE100

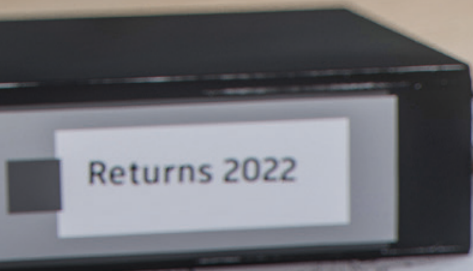
first.green

Fully electric,
effortlessly portable*
and powerful.



*Possibility of towing by a standard vehicle.

Cost **effective,**
nearly no
maintenance.



Powered with technology.

Elise 700 is a lighter version of the Elise 900 skid steer loader, thanks to a lithium battery and light, narrow profile.



Battery capacity

280 Ah

Full charge in
under 5 hours

Hinge pin height


3627 mm

346mm higher reach than the
competing average

Total width

1700 mm

Ease of transport,
improved mobility



Lighter, narrower and surprisingly powerful

Delivery on demand

Minimal maintenance

100% eco-friendly drive

Lithium battery and narrower profile

Fits to a basic personal vehicle tow trailer

Chassis clearance

210 mm

Allows off-road capabilities
while still highly portable

Remote control

50 m

15 m with
smart app

Number of charging cycles

3000+

Low level of degradation
with high performance

Technical specs.



GENERAL SPECIFICATIONS

Rated load capacity 700 kg

Tipping load 1 400 kg

Minimum travel speed 0.15 km/h

Maximum speed 12 km/h

Maximum travel speed 12 km/h

MOTOR

Electric engine type 3xGEW

Rated power 3x10 kW

Maximum power 3x27 kW

Maximum torque 3x160 Nm

TUNE-UP YOUR MACHINE

Options

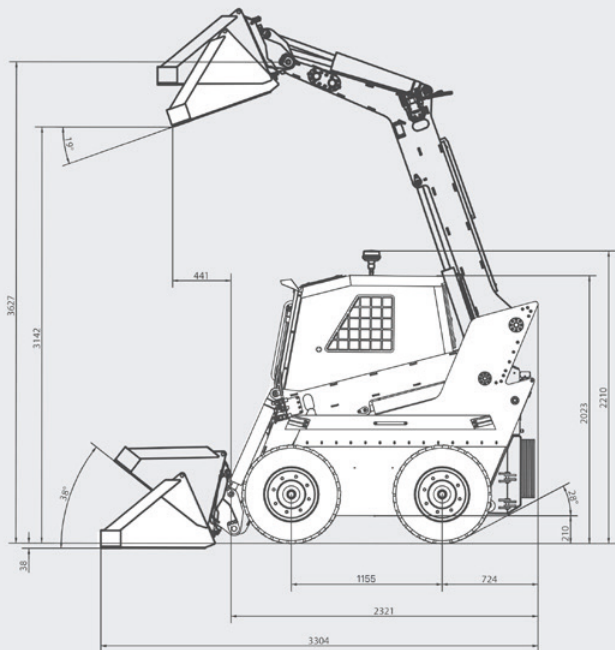
- Windowless cabin re-build set
- Air conditioning
- Hard-mounted display
- Android smartphone with control app
- Safety open door sensor
- Wheels for smooth surfaces, Universal wheels or Heavy terrain wheels
- Electric heater

Standard features

- LiFePO 4 battery with 280 Ah capacity
- Rear-view camera
- Left and right rear-view mirror
- Mandatory lighting
- Front work light
- Rear work lights
- Orange beacon light
- Reversing alarm
- Safety opening window
- Front roller sunshade
- Windshield wiper with sprayer
- Safety reinforced cab
- Seat with safety belt and operator detector system
- Quick coupler – SAE J2513
- ISO joysticks, H Pattern, Reverse H
- Vertical bucket stabilization system
- Cable set pre-install for electric attachments
- External battery charger
- User and maintenance manual

Compare technical specifications for this product online at [first.green](#)

ELISE¹⁰⁰



WEIGHTS

Rated operating weight **2 800 kg**

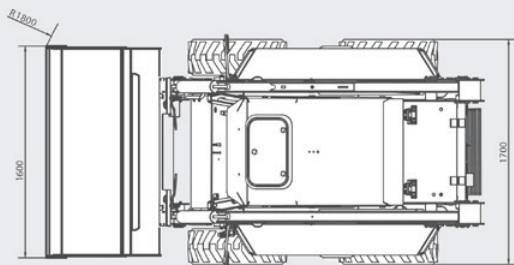
Total weight of the loader **3 500 kg**

HYDRAULICS

Hydraulic oil pressure **180 Bar**

Hydraulic oil flow **65 l/min**

Hydraulic oil reservoir **40 l**





Maintenance



Logistics



Construction



Contractors / Rentals



Agriculture

With a wide range of attachments.



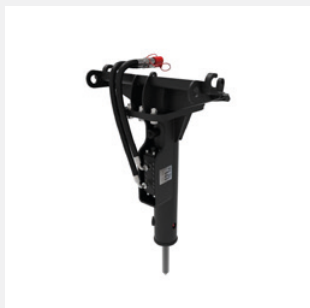
Standard bucket



Concrete mixer



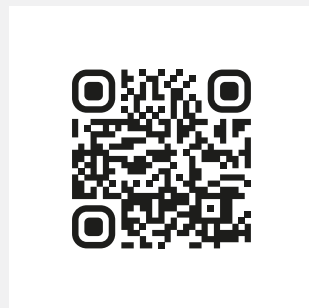
Pallet forks



Hammer



Auger



... plus 34 other attachments
on [first.green](https://www.first.green)



For more FIRSTGREEN products, visit
first.green

+420 737 633 733, info@first.green